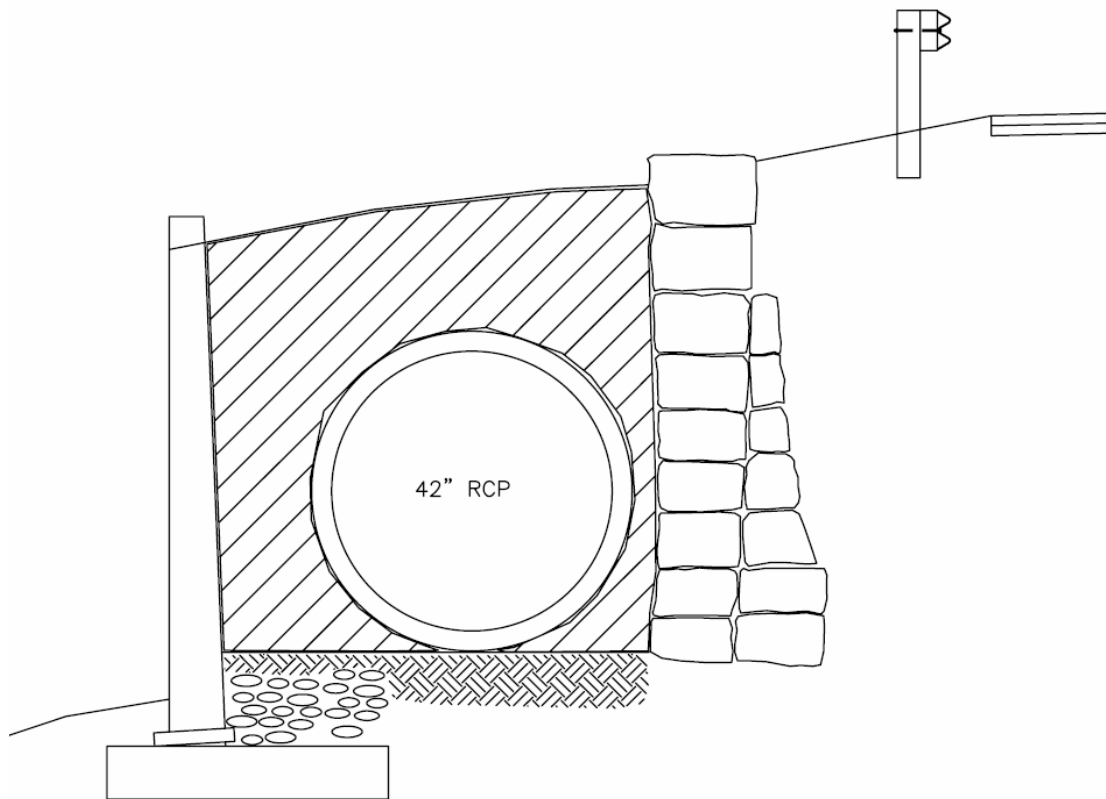
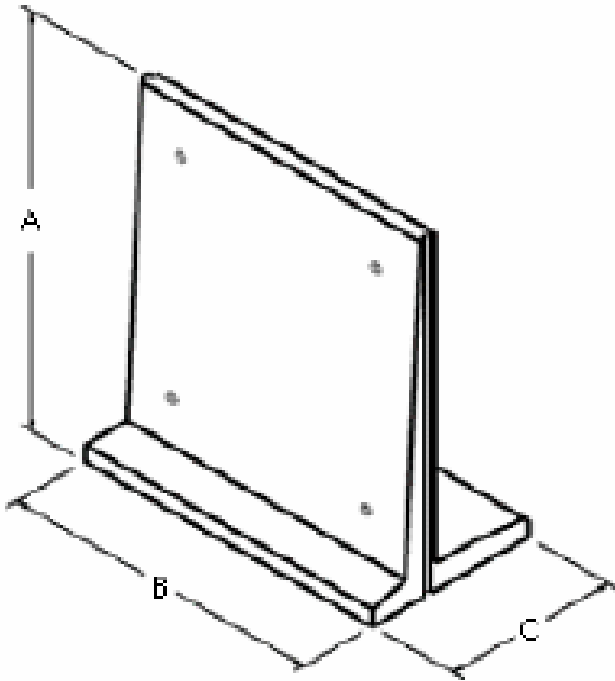


Stormwater Interceptor along Atlantic Avenue



Precast Concrete "T"-Wall



| DIM'A" | DIM'B" | DIM'C" | WEIGHT |
|--------|--------|--------|----------|
| 6'-9" | 8'-0" | 3'-3" | 3.3 TONS |
| 8'-9" | 8'-0" | 4'-3" | 4.3 TONS |

Retaining Wall

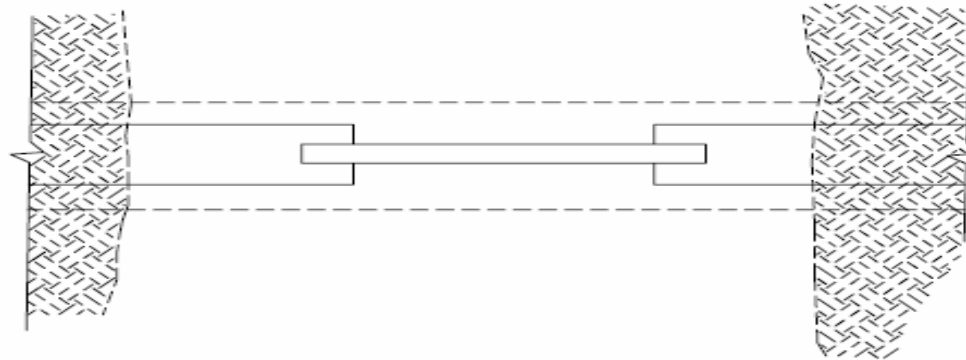
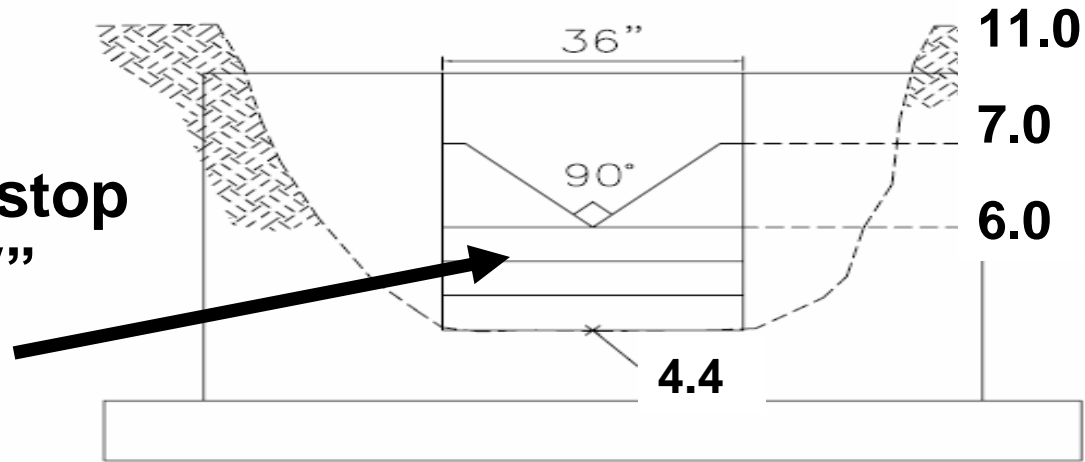
Model No. RT-6

6'Hx8'L

Model No. RT-8

8'Hx8'L

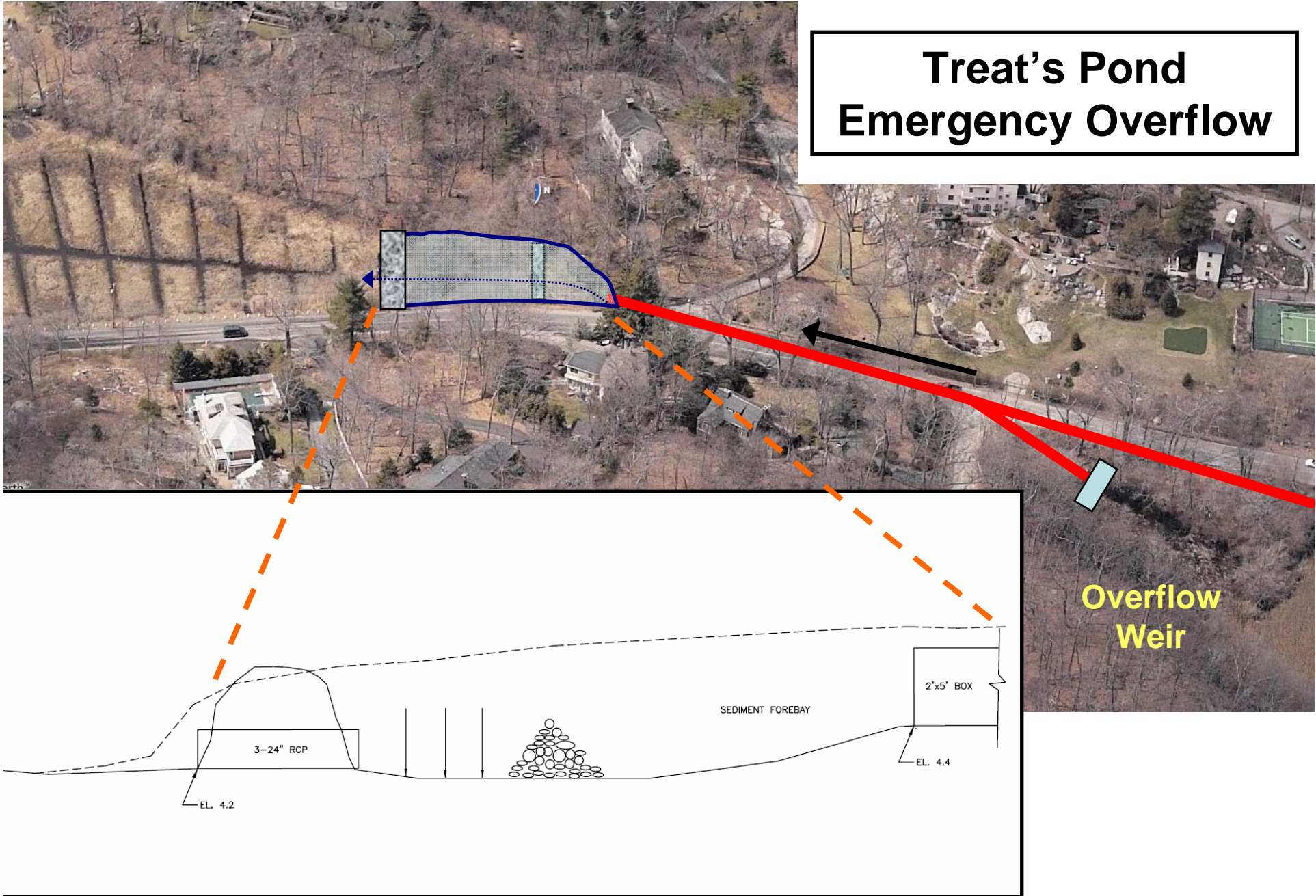
**Adjustable stop
logs and “V”
Notch Weir**



TREATS POND OVERFLOW (OUTLET)

MTL at Cove = 4.0 (No Tidal Exchange)

Treat's Pond Emergency Overflow



Recommended Improvements

